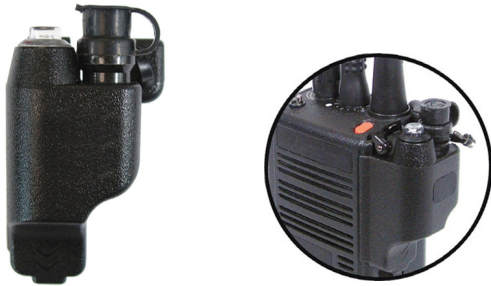




BlueLink Bluetooth Radio Adapter



BlueLink USER'S GUIDE For Compatible Wireless Audio Accessories

The **BlueLink** radio adapter allows you to use a compatible wireless headset or other audio accessory with your two-way radio.

Bluetooth Adapter
Model No.: BT-Dongle
Made in Taiwan
 FCC ID: XTS-BTD-1M3

Version 1.0 March 2010

Controls and Connection

Quick Disconnect Accessory Port

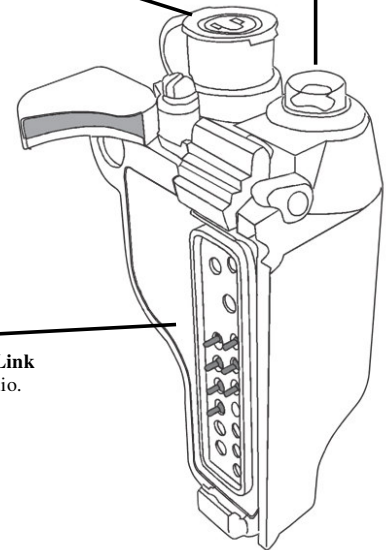
Allows the connection of a **BlueLink** QD series wired audio accessory, such as a Push-to-Talk, earphone, or auxiliary microphone.

Multi-Function Talk Switch / Status LED

Used to place the **BlueLink** in pairing mode. The LED flashes messages that let the user know the current status of the **BlueLink**. Once paired with an audio accessory, this switch is used to activate the Push-To-Talk function of the two-way radio.

Radio Connector

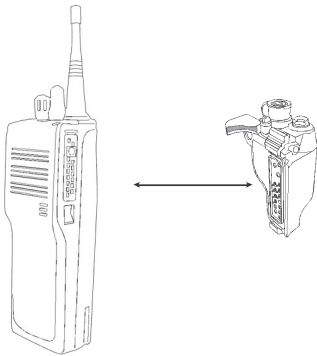
This port connects the **BlueLink** to a compatible two-way radio.



QUICK START

1. Connect **BlueLink** Bluetooth adapter to a compatible two-way radio.
2. Pair the Bluetooth adapter with a compatible wireless audio accessory.
3. Connect a wired audio or PTT accessory to the Quick-Disconnect accessory port on the **BlueLink** adapter (optional).
4. Test and use.

Connecting the **BlueLink** to Radio



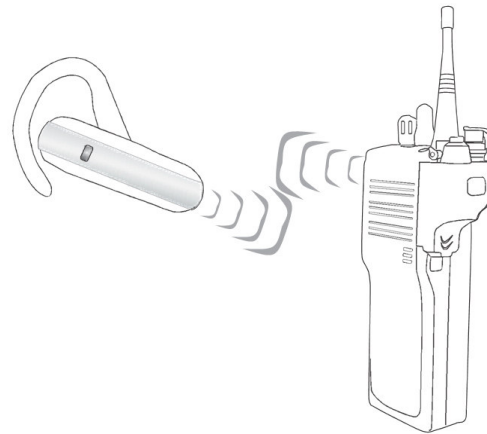
STEP ONE: Connecting to a Two-Way Radio

To connect your **BlueLink** to a two-way radio, follow these steps:

- * Always turn off your two-way radio before connecting the **BlueLink**.
- * Plug the **BlueLink** into the speaker-microphone / audio accessory jack of your two-way radio.
- * On some models of two-way radios, you may need to tighten a retaining screw to ensure that the **BlueLink** remains attached to the radio.
- * Turn on your two-way radio and verify that the radio transmits and receives with the **BlueLink** attached.
- * Because no wireless audio accessory has yet to be paired to the **BlueLink**, received signals should be heard over the radio's internal speaker and transmitted signals will be sent using the radio's internal microphone.

- The PTT button on the **BlueLink** will not function as a Push-to-Talk button for your two-way radio until a wireless audio accessory is successfully paired to the dongle, or a wired audio accessory is plugged into the Quick-Disconnect port.

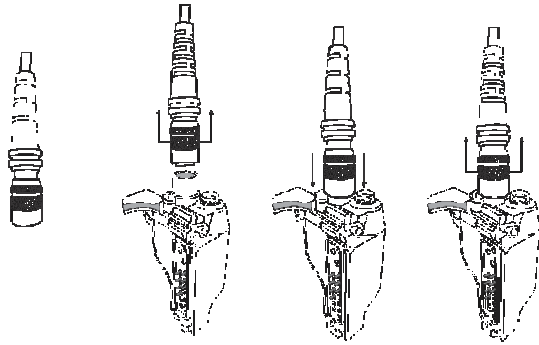
Pairing With an Audio Accessory



STEP TWO: Pairing with an Audio Accessory

- * Turn off the radio that the **BlueLink** is connected to. Wait at least three seconds.
- * Turn the radio on while holding down the Talk button on the **BlueLink** adapter.
- * Continue to hold the Talk button down for approximately three seconds.
- * Release the Talk button when the status LED begins to flash two times per second.
- * The **BlueLink** adapter is now in audio accessory pairing mode. Activate the pairing mode on your compatible wireless audio accessory.
- * Once the wireless audio accessory and **BlueLink** adapter are paired with each other, the status LED on the dongle will show a constant blue light for three seconds.
- * If the **BlueLink** adapter does not detect a compatible wireless accessory within 60 seconds of being put into pairing mode, the adapter will exit the pairing mode and resume normal operation.
- * Once successfully paired, you will be able to operate your two-way radio using your compatible wireless accessory.

Connecting a Wired Audio Accessory to the BlueLink adapter



STEP THREE: Using a BlueLink Quick-Disconnect Wired Audio Accessory (Optional)

The Quick-Disconnect port on the BlueLink allows the connection of a compatible wired BlueLink QD series accessory. This includes compatible earphones, surveillance kits, remote microphones, and Push-To-Talk accessories.

* To connect a wired accessory, first turn off the two-way radio that the BlueLink adapter is connected to.

* Lift up and remove the protective jacket covering the Quick-Disconnect port on the BlueLink to expose the connector.

* Align the Quick-Disconnect connector of the audio adapter with the Quick-Disconnect port on the BlueLink adapter and push the connectors together gently until they click into place.

NOTE: the male and female ends of the quick release connectors are keyed so they must be properly aligned before the two halves can be pushed together.

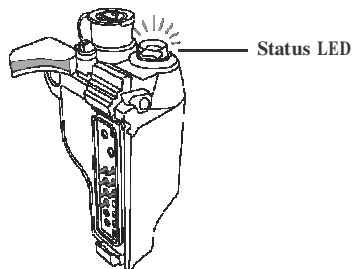
* To remove a wired accessory that has been installed, gently lift up on the outer cover of the Quick-Disconnect connector until the accessory is released and then pull up to remove the accessory.

5

STATUS LED MESSAGES

The meanings of the various status LED messages shown by the BlueLink adapter are shown on the following table:

LED INDICATION	MEANING
One flash per minute	Normal operation
Two flashes per minute	Audio accessory pairing mode active
One long flash for three seconds	Successfully paired or re-paired
No indication	Radio is turned off



TROUBLESHOOTING

My wireless audio accessory will not pair with the BlueLink.

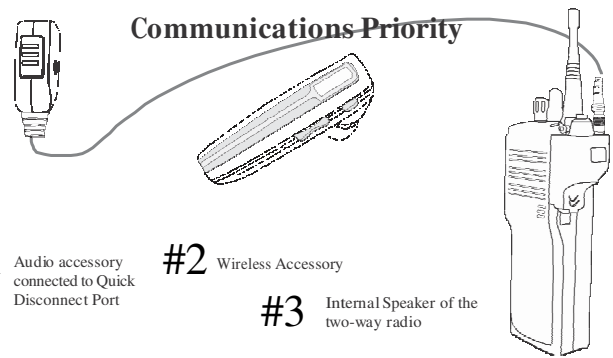
Follow the instructions to place the BlueLink adapter into the correct pairing mode and then activate the pairing mode on the accessory. Make sure that the BlueLink adapter and accessory being paired are within one meter of each other.

My wireless audio accessory worked before, but is not working now.

Make sure that the BlueLink is properly connected to the two-way radio and that the radio is turned on. Ensure that your wireless audio accessory has a fully charged battery and is turned on. If the devices will still not work, re-pair the BlueLink to the wireless accessories.

DISCLAIMER: The wireless link used by BlueLink products is an open standard, unsecured technology. As such, it is not recommended for first-responder or other mission critical users.

7



#1 Audio accessory connected to Quick Disconnect Port

#2 Wireless Accessory

#3 Internal Speaker of the two-way radio

STEP FOUR: Transmit and Receive Operation

The BlueLink will automatically route radio calls based on the following priority:

* If an audio accessory is connected to the Quick-Disconnect Port of the BlueLink adapter, radio calls will be routed to this accessory.

* If no wired accessory is connected, calls will be routed to a wireless accessory, if one is paired with the BlueLink.

* If no wireless headset or audio accessory is paired to the BlueLink or the wireless accessory is turned off, calls will be routed to the internal speaker of the two-way radio.

NOTE: When a new accessory is connected, paired, disconnected, or powered off, it may take several seconds for the audio from received radio calls to be routed appropriately.

Push-to-Talk can be activated by any of the following methods:

* Pressing and holding the Talk button of the BlueLink adapter.

* Using the PTT button on a wired BlueLink Quick-Disconnect accessory (if one is connected to the BlueLink adapter).

When transmitting, the operator's voice is picked-up by:

* The microphone in the wired-audio accessory connected to the Quick-Disconnect port on the BlueLink.

* If no wired audio accessory with a microphone is connected, the microphone in the paired wireless audio accessory will be used.

- If no audio accessory is paired with the BlueLink, or the paired wireless audio accessory is turned off, the internal microphone in the attached two-way radio will be used.

6

Support and Warranty

This product is covered by a one-year manufacturer's limited warranty. For support or warranty service on your BlueLink product, contact us or visit us on the web at www.EasyToGetWireless.com.

Federal Communication Commission Interference Statement

This equipment has been tested and found to comply with the limits for a Class B digital device, pursuant to Part 15 of the FCC Rules. These limits are designed to provide reasonable protection against harmful interference in a residential installation. This equipment generates uses and can radiate radio frequency energy and, if not installed and used in accordance with the instructions, may cause harmful interference to radio communications. However, there is no guarantee that interference will not occur in a particular installation. If this equipment does cause harmful interference to radio or television reception, which can be determined by turning the equipment off and on, the user is encouraged to try to correct the interference by one of the following measures:

- Reorient or relocate the receiving antenna.
- Increase the separation between the equipment and receiver.
- Connect the equipment into an outlet on a circuit different from that to which the receiver is connected.
- Consult the dealer or an experienced radio/TV technician for help.

FCC Caution: Any changes or modifications not expressly approved by the party responsible for compliance could void the user's authority to operate this equipment.

This device complies with Part 15 of the FCC Rules. Operation is subject to the following two conditions: (1) This device may not cause harmful interference, and (2) this device must accept any interference received, including interference that may cause undesired operation.

This equipment complies with FCC RF radiation exposure limits set forth for an uncontrolled environment. To maintain compliance with FCC RF exposure compliance requirements, please avoid direct contact to the transmitting antenna during transmitting.

RF Exposure Warning!

Please keep product 20cm away from your body or bystander during the radio operation. The typical handheld two-way radios were certified under mobile usage condition (i.e. keep 20cm away from the user body) and use of such radio closer than 20cm may exceed the US RF exposure limit and shall be avoided.

8